

# Assembly and User Manual

# SπAND

ENDLESS STAND OPTIONS, INSPIRED BY PI'S INFINITE

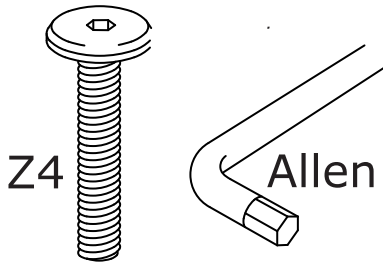


This module can be installed by one person

The necessary tools required for assembly of this module



1



Z4

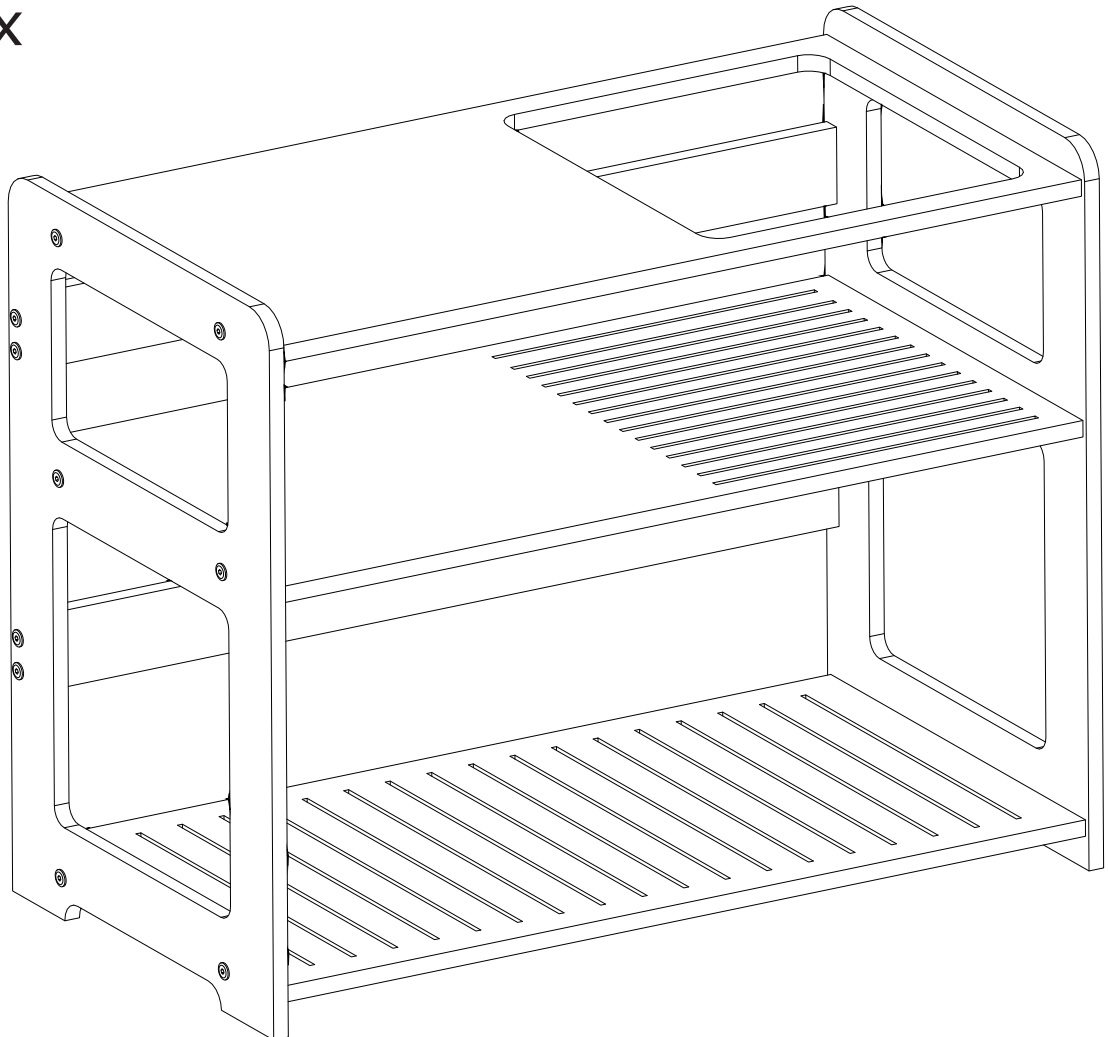
Allen

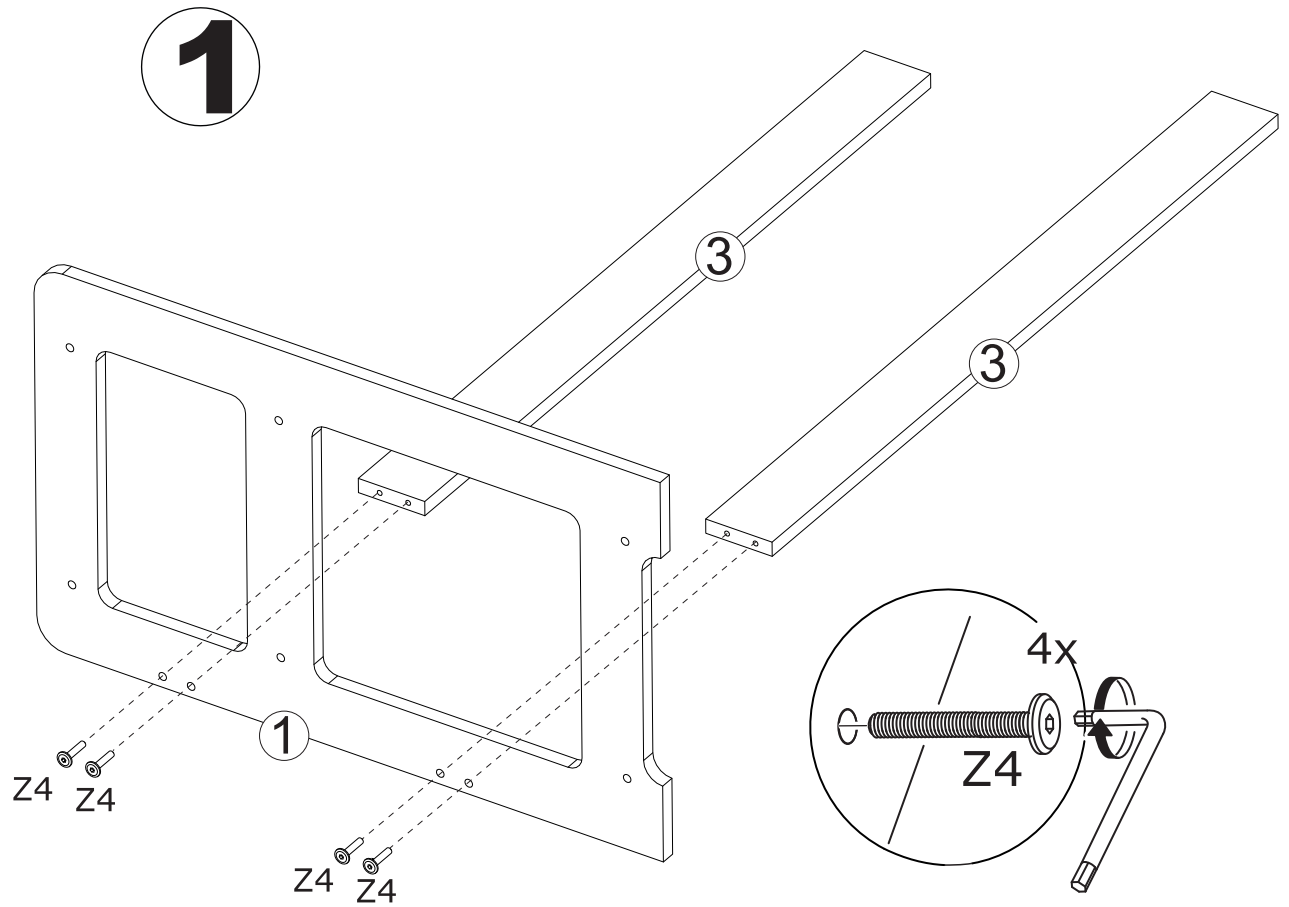
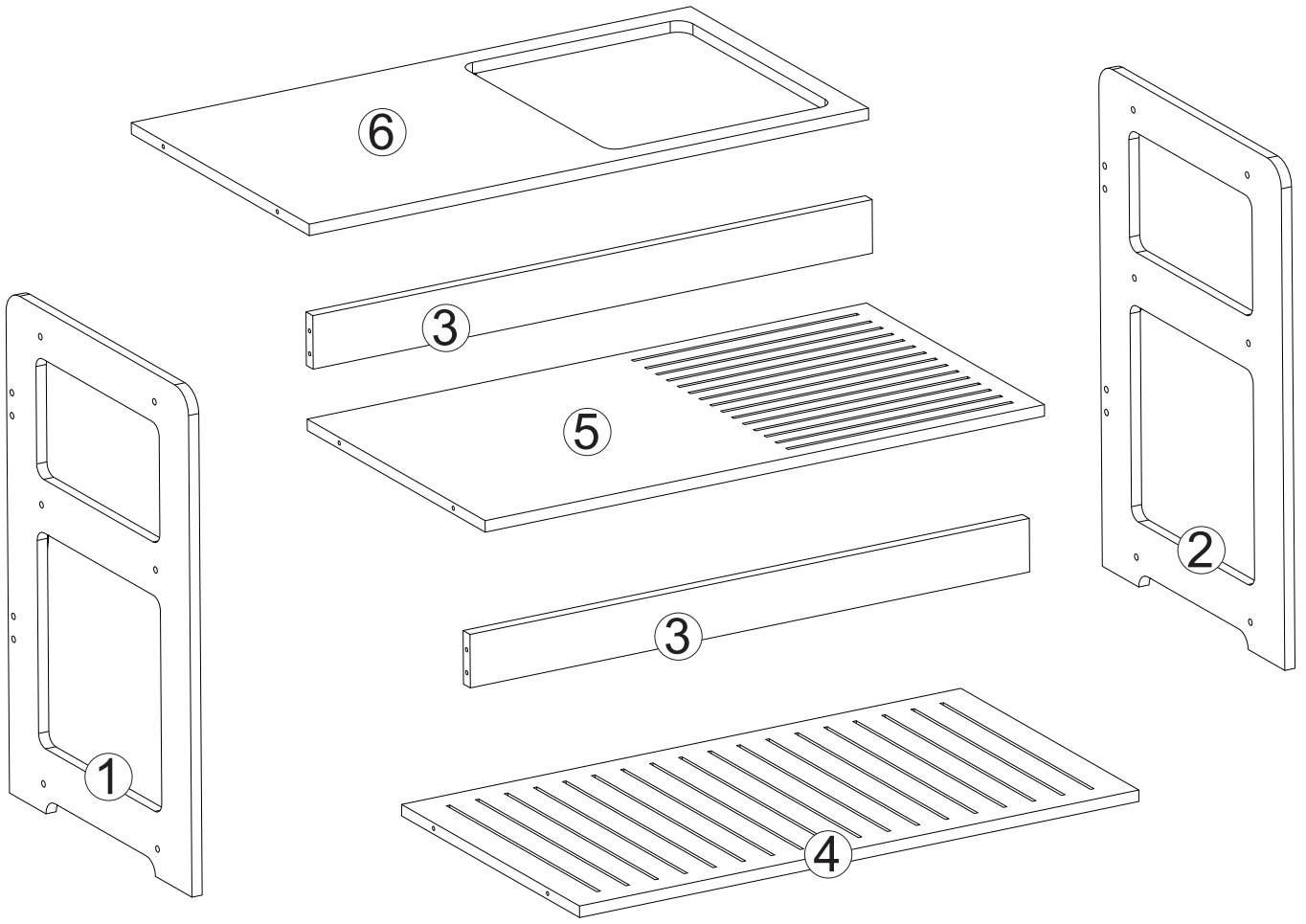
20x

2x

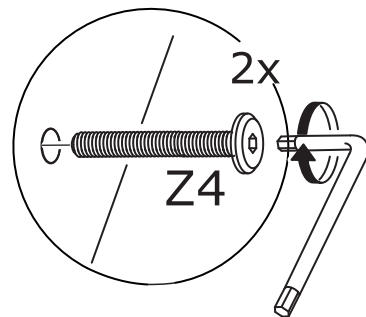
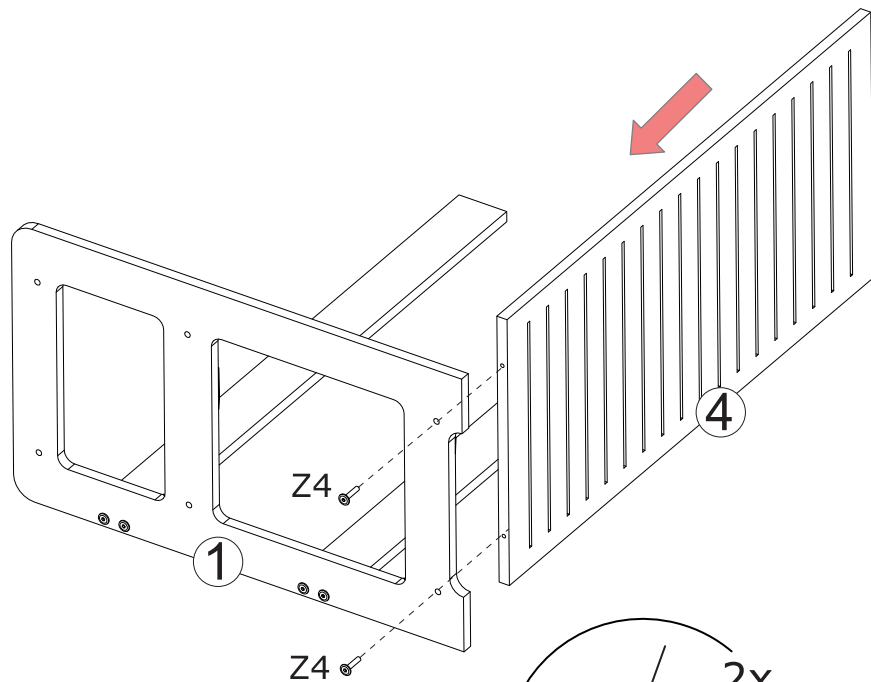
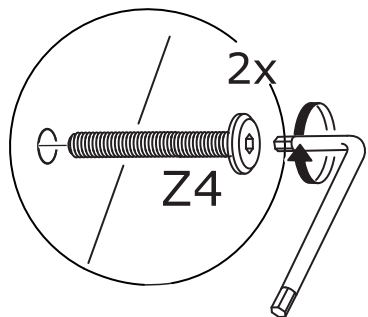
Spare Parts

2x

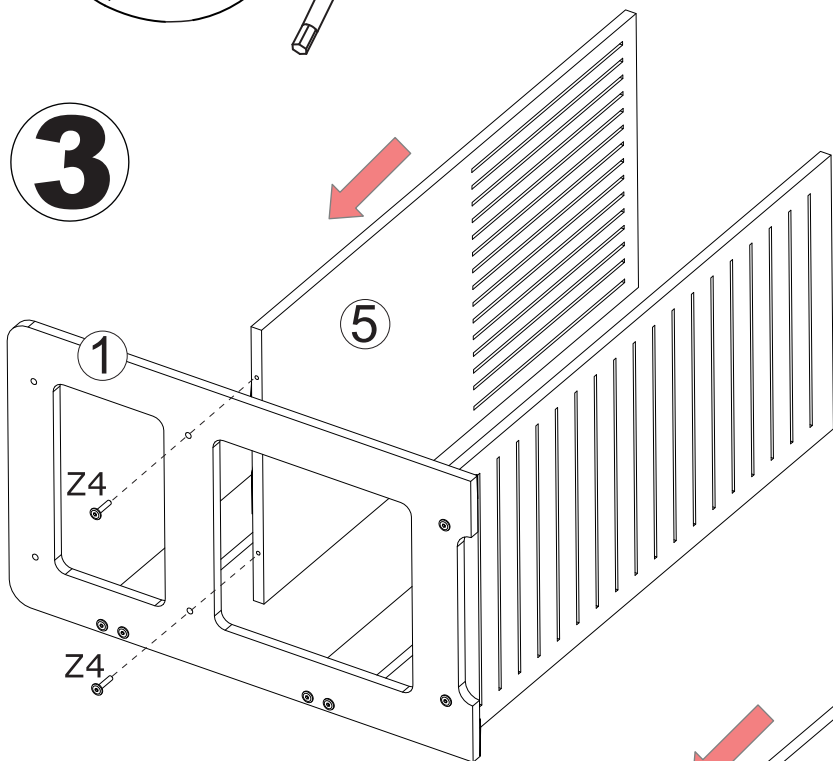




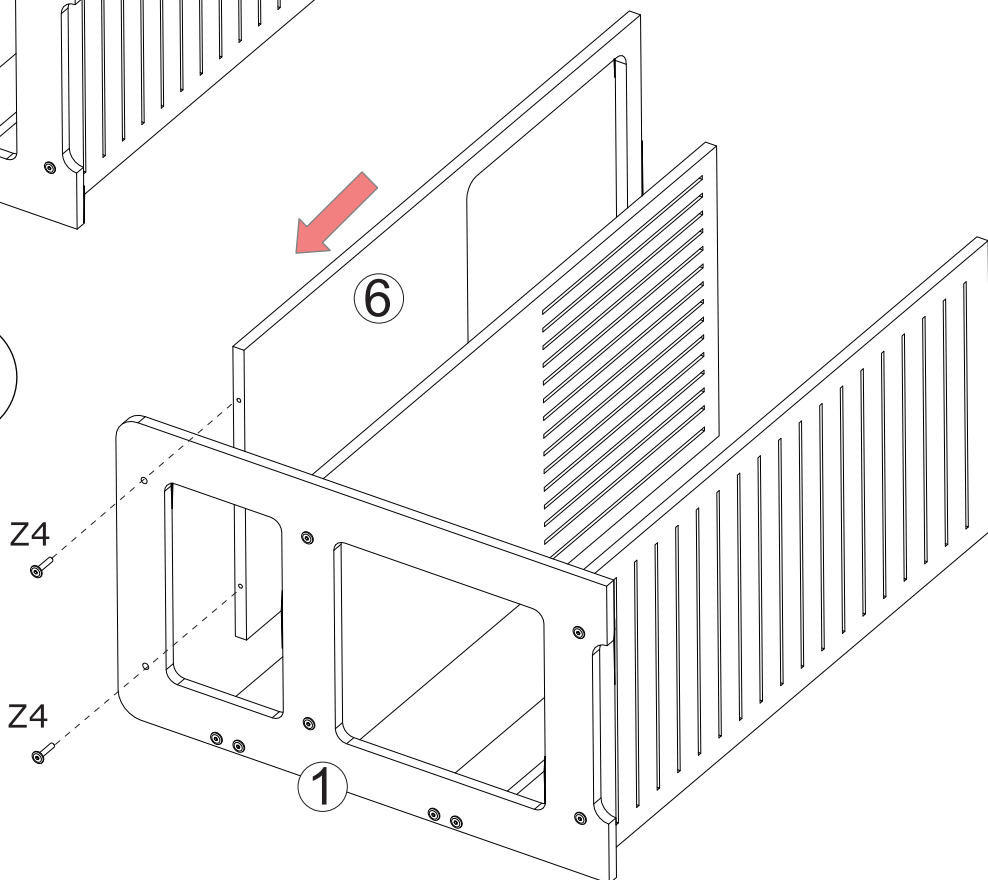
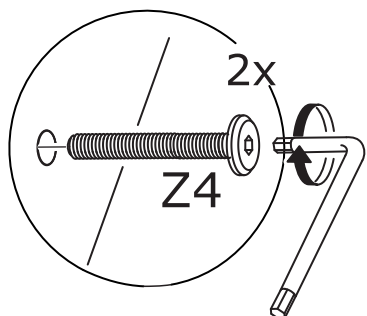
**2**



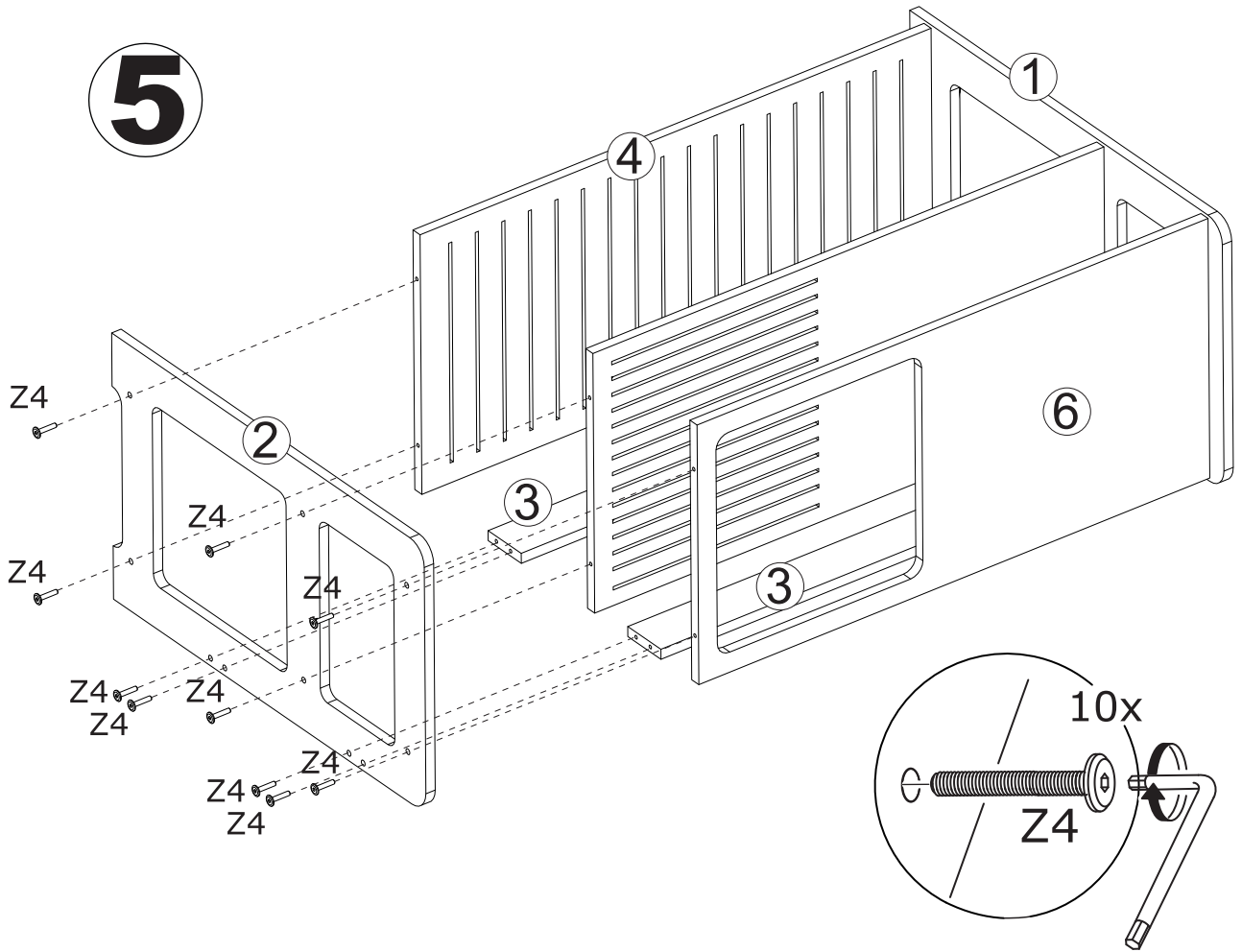
**3**



**4**



**5**



**6**

