

Assembly and User Manual

S π AND

ENDLESS STAND OPTIONS, INSPIRED BY PI'S INFINITE

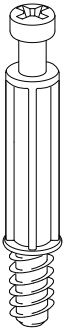


This module can be installed by one person

The necessary tools required for assembly of this module



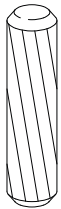
1



14x

Spare Parts

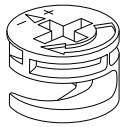
2x



16x

Spare Parts

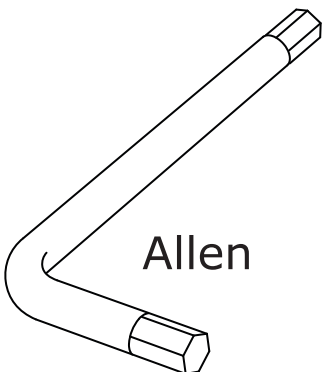
2x



14x

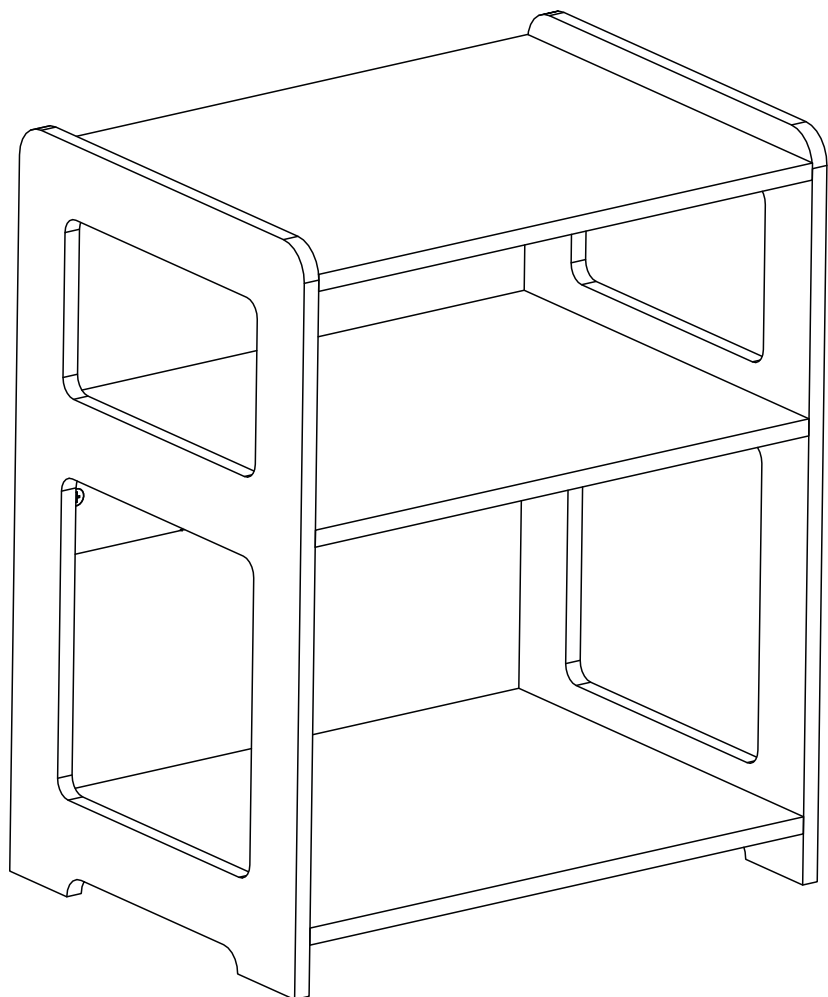
Spare Parts

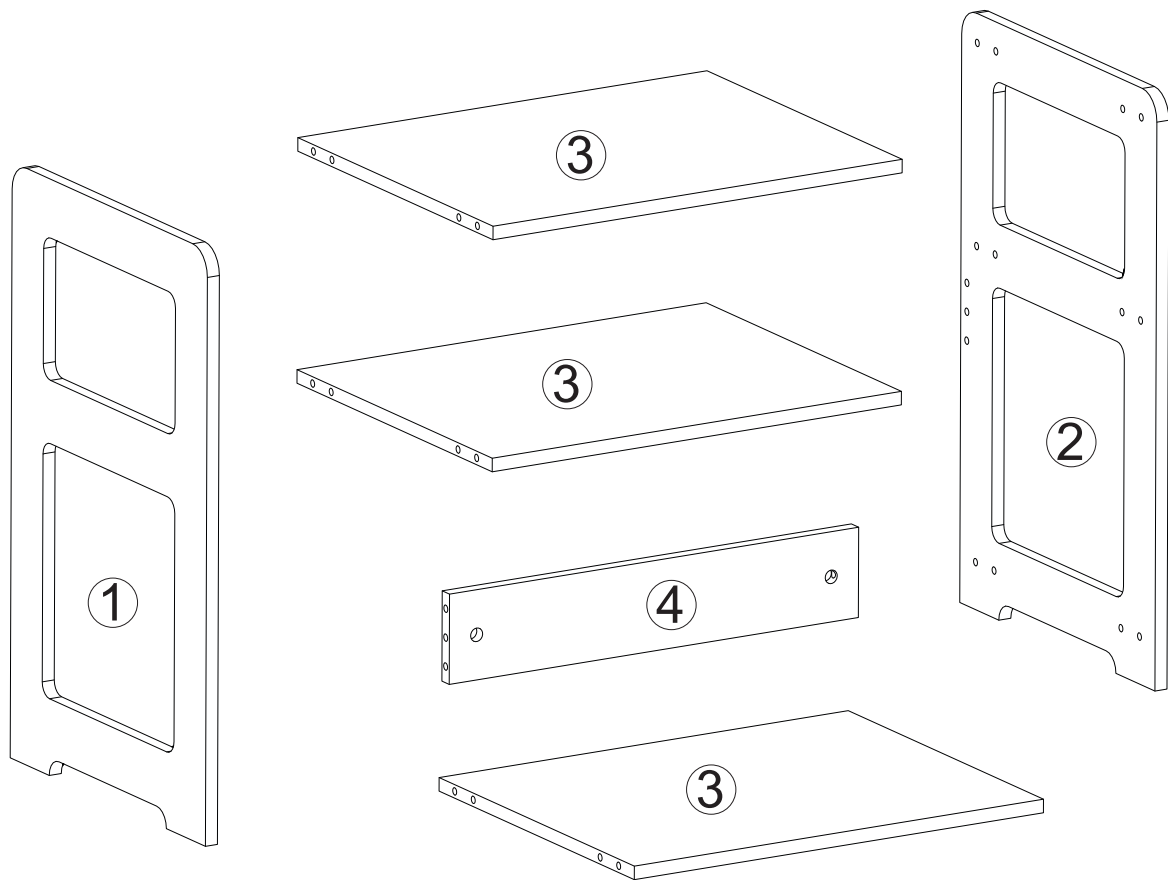
2x



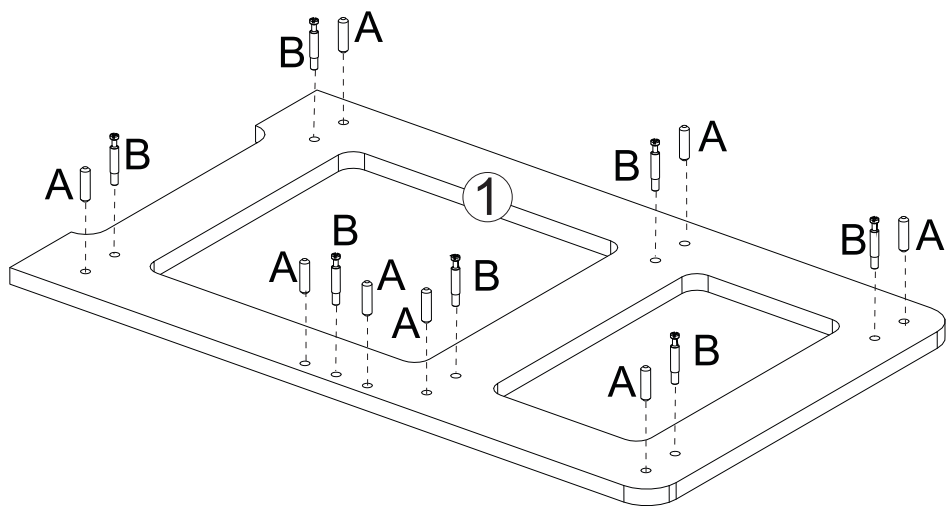
Allen

1x

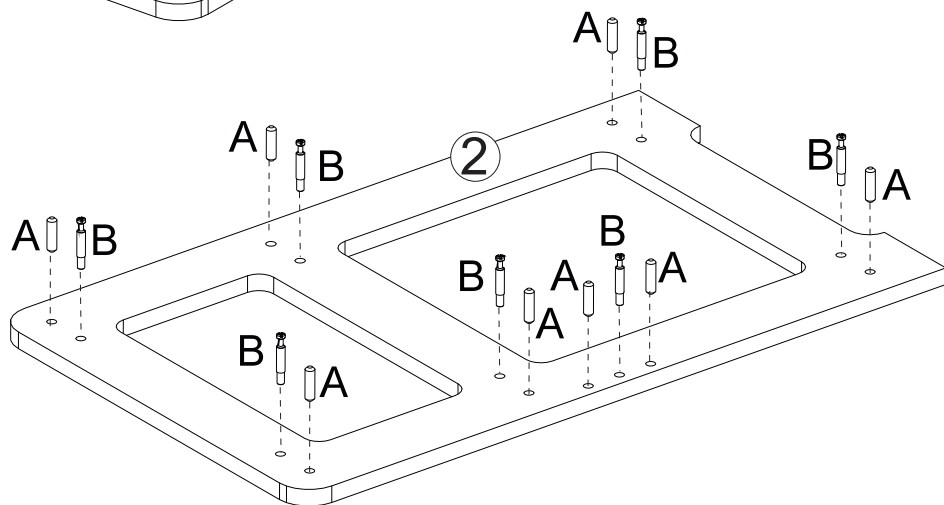




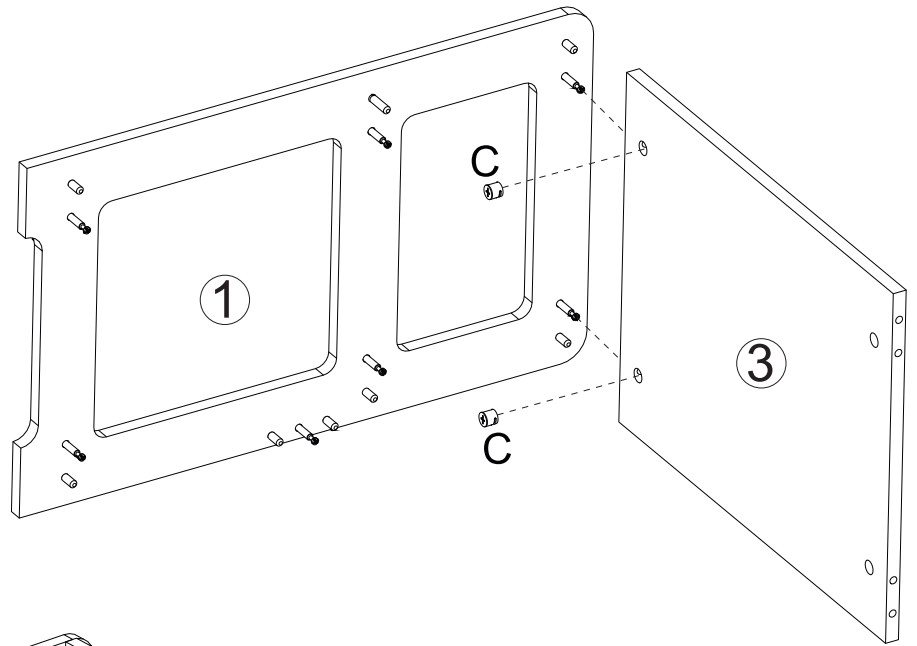
1



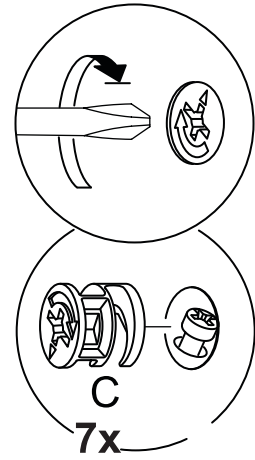
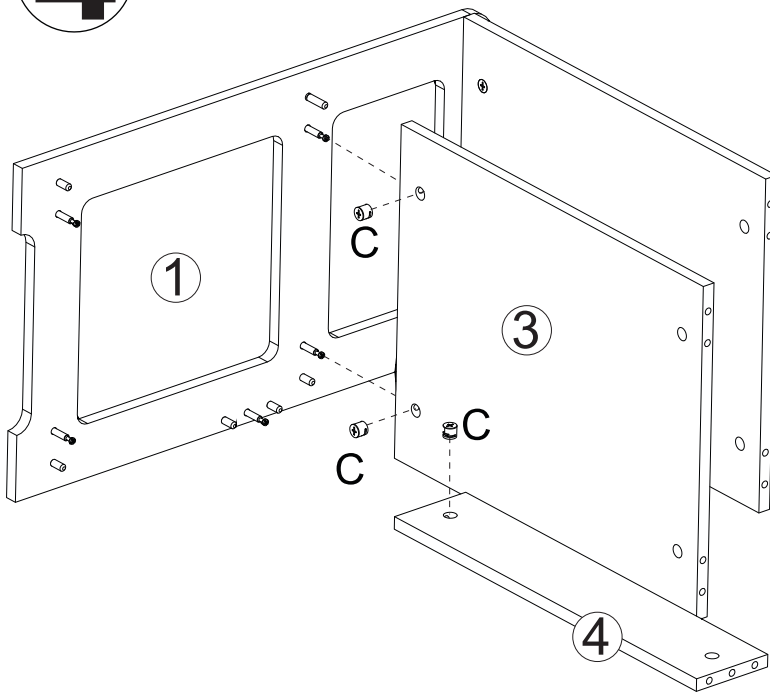
2



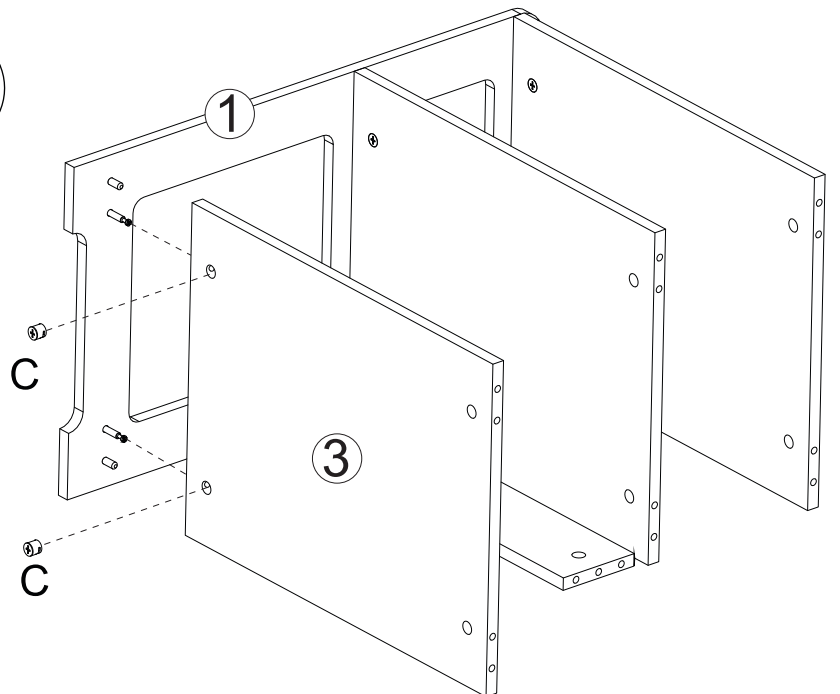
3



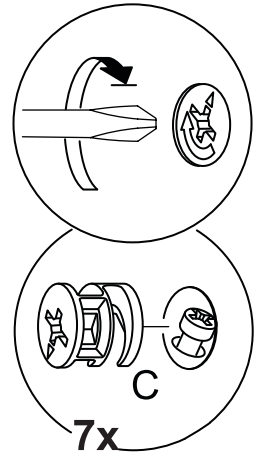
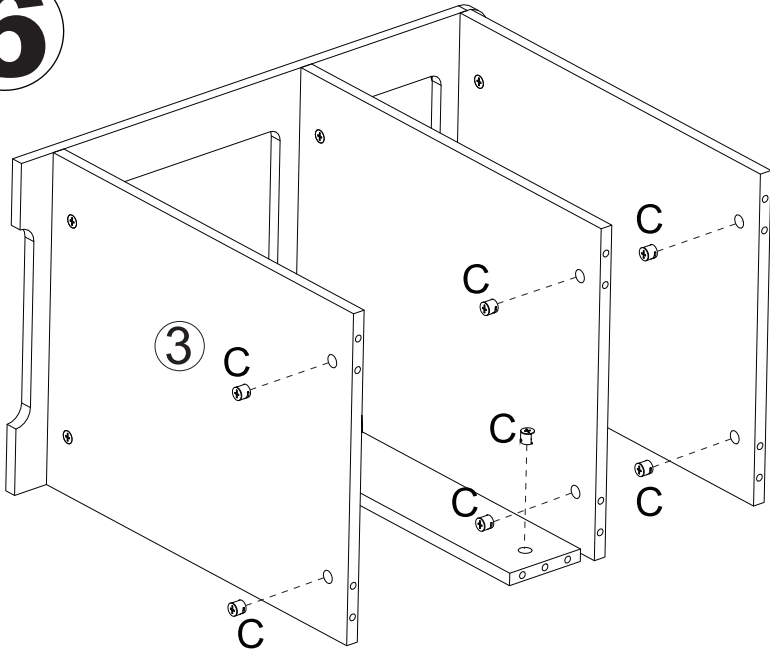
4



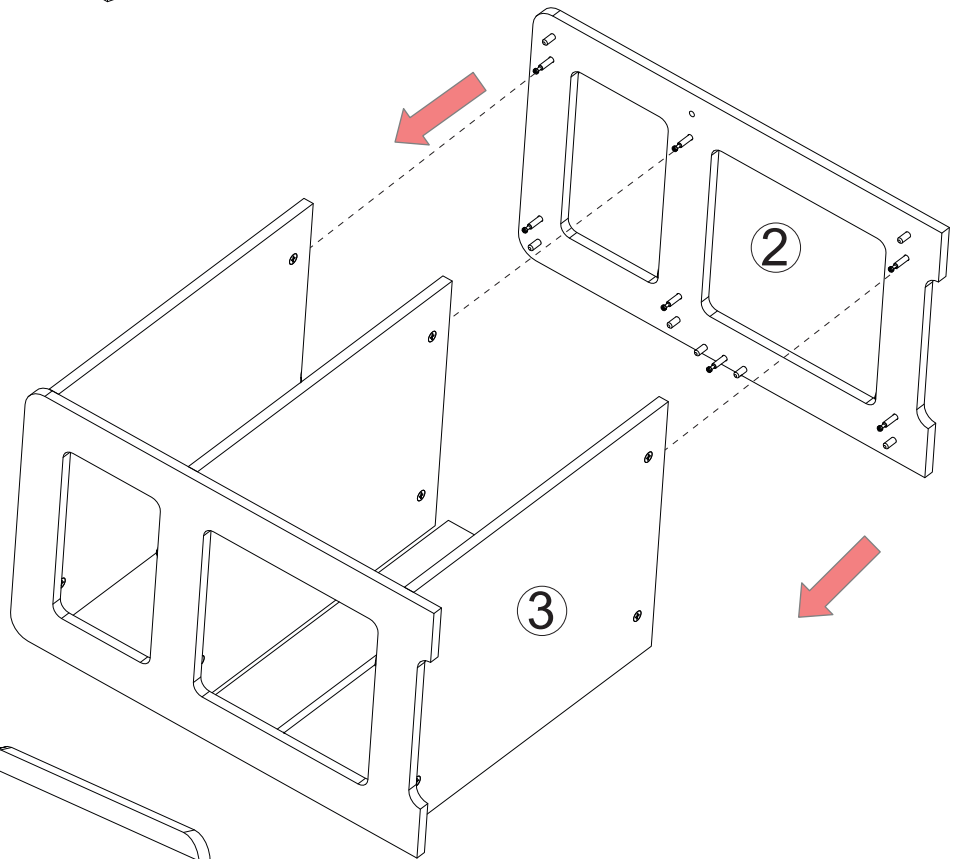
5



6



7



8

