

Assembly and User Manual

S π AND

ENDLESS STAND OPTIONS, INSPIRED BY PI'S INFINITE

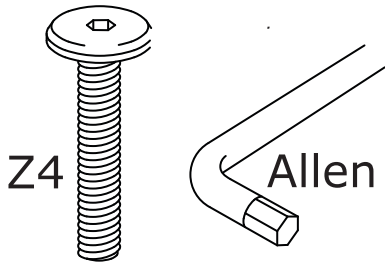


This module can be installed by one person

The necessary tools required for assembly of this module



1



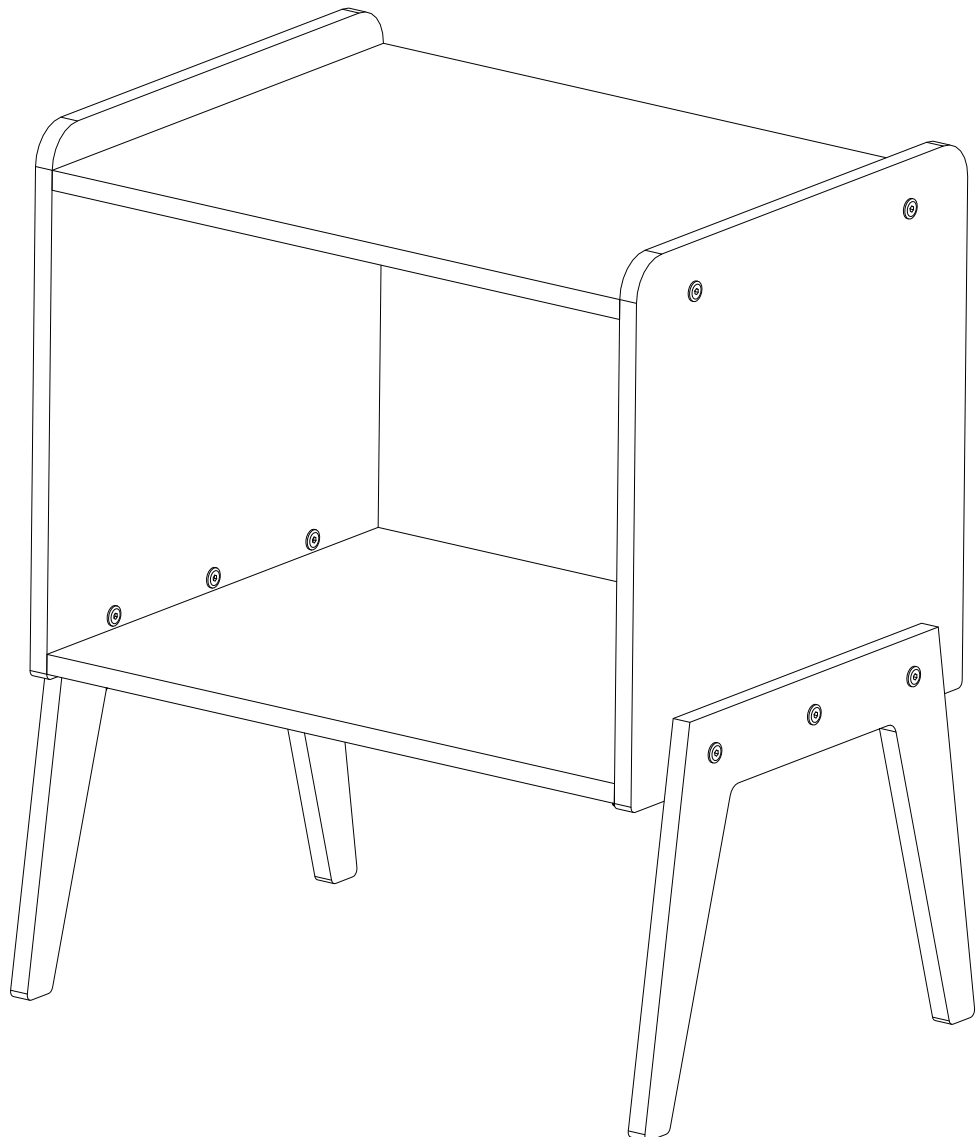
Z4

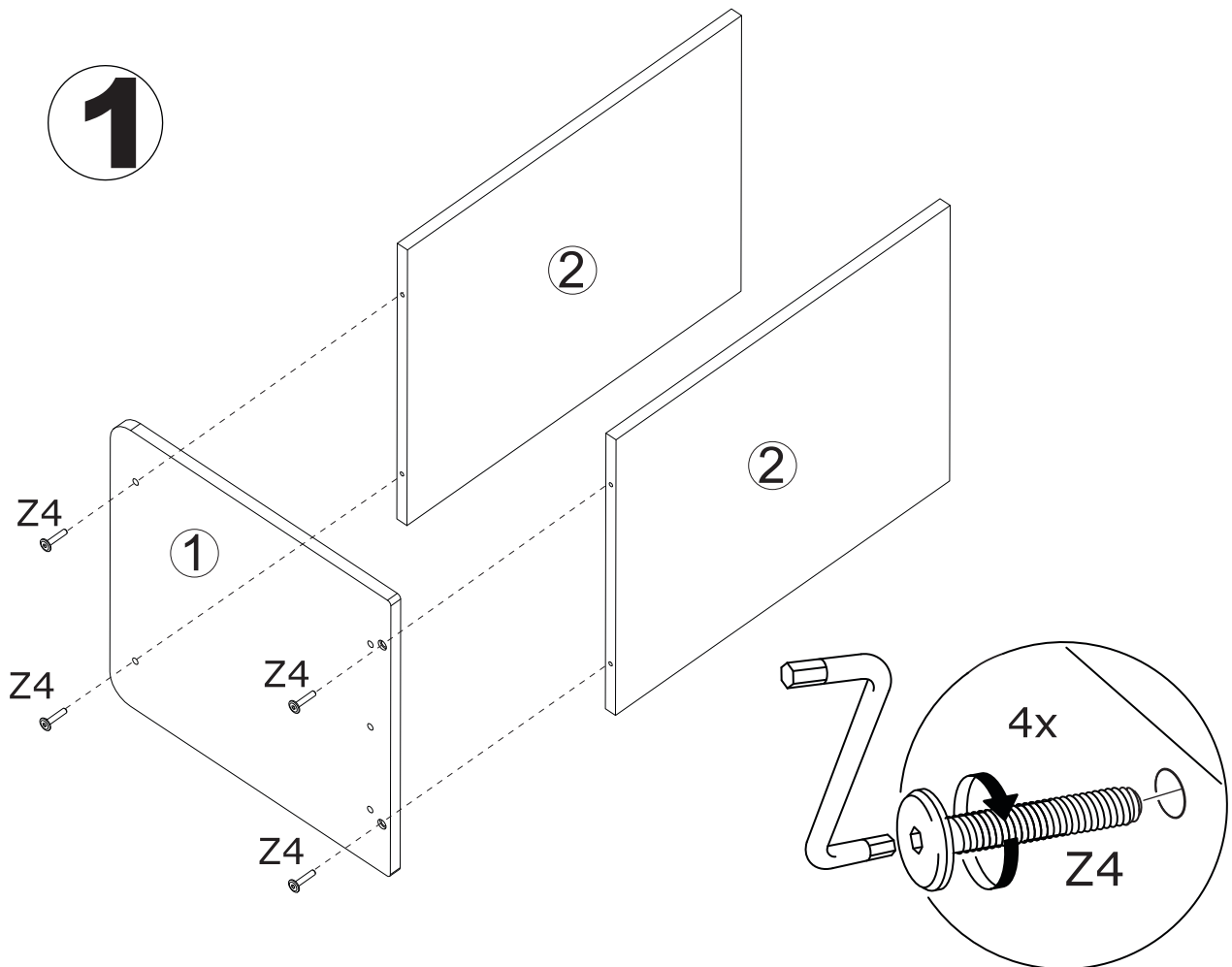
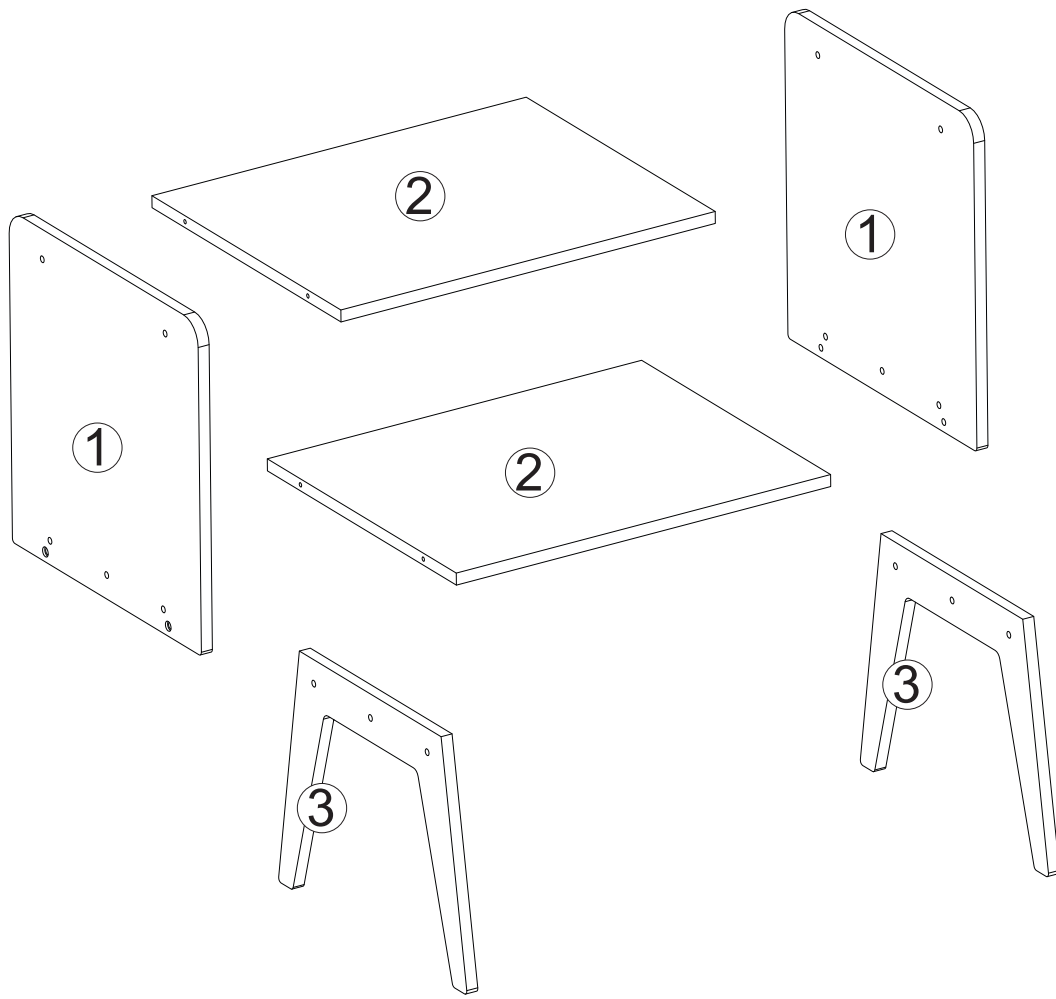
Allen

14x 2x

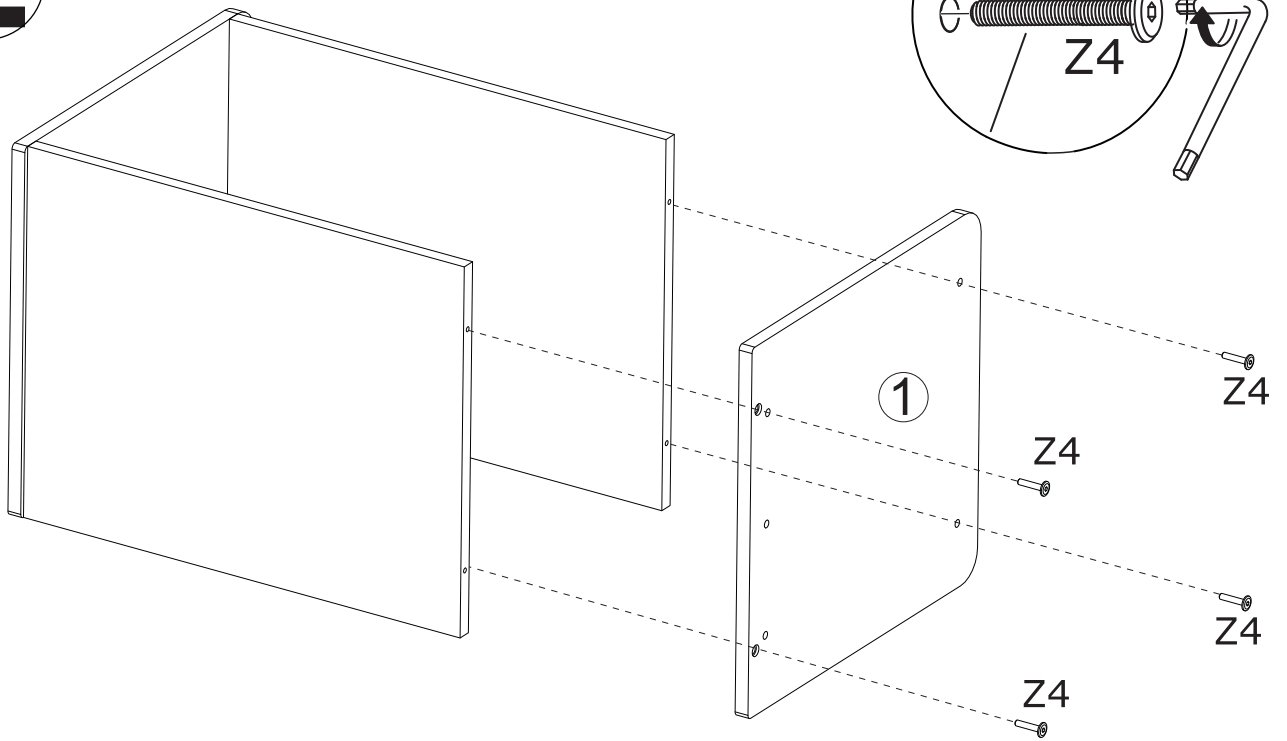
Spare Parts

2x

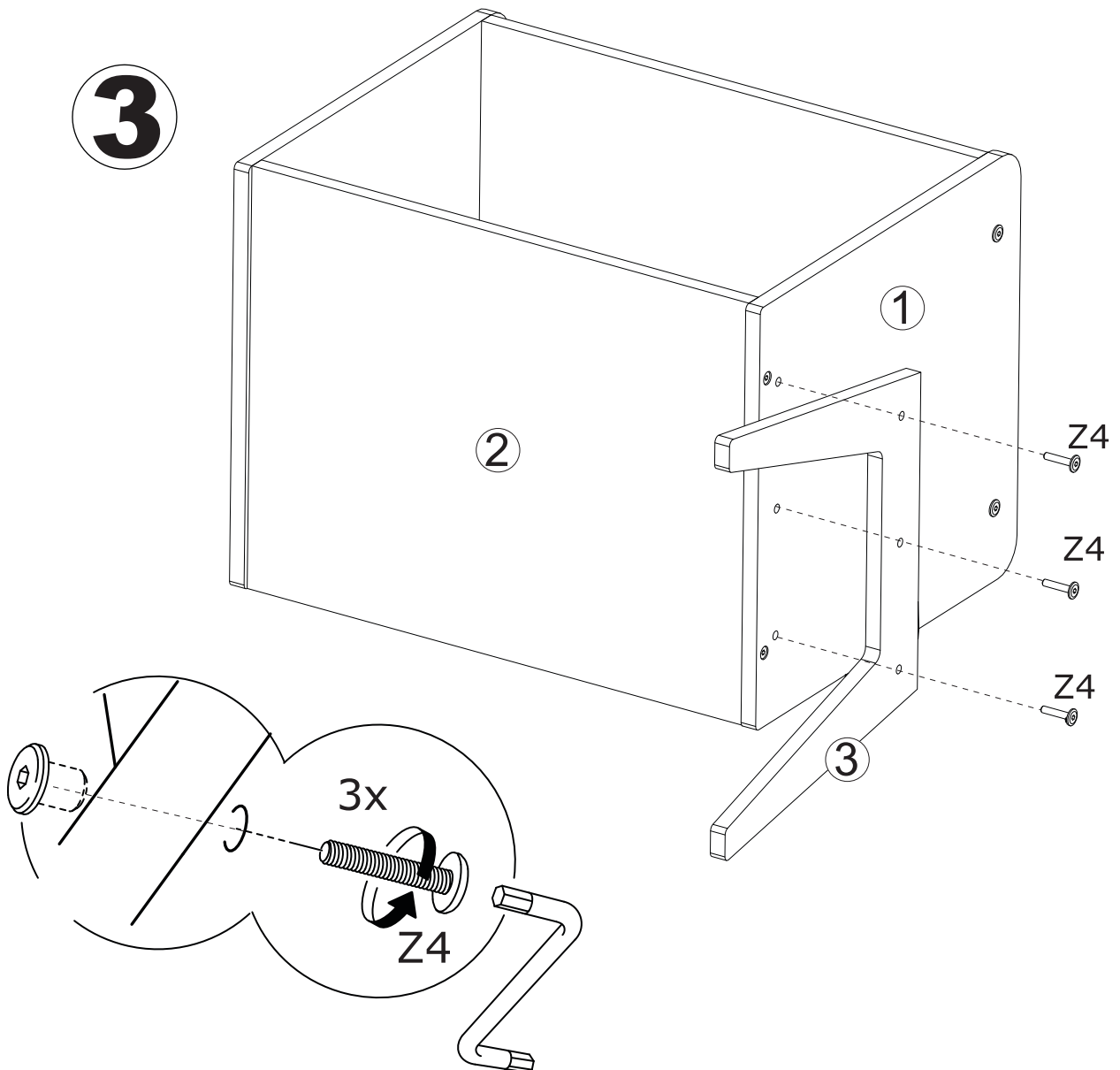




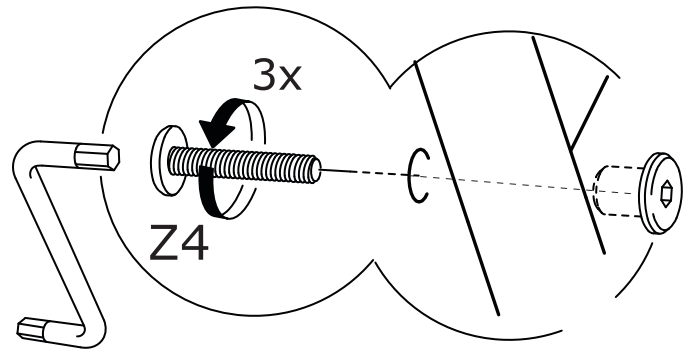
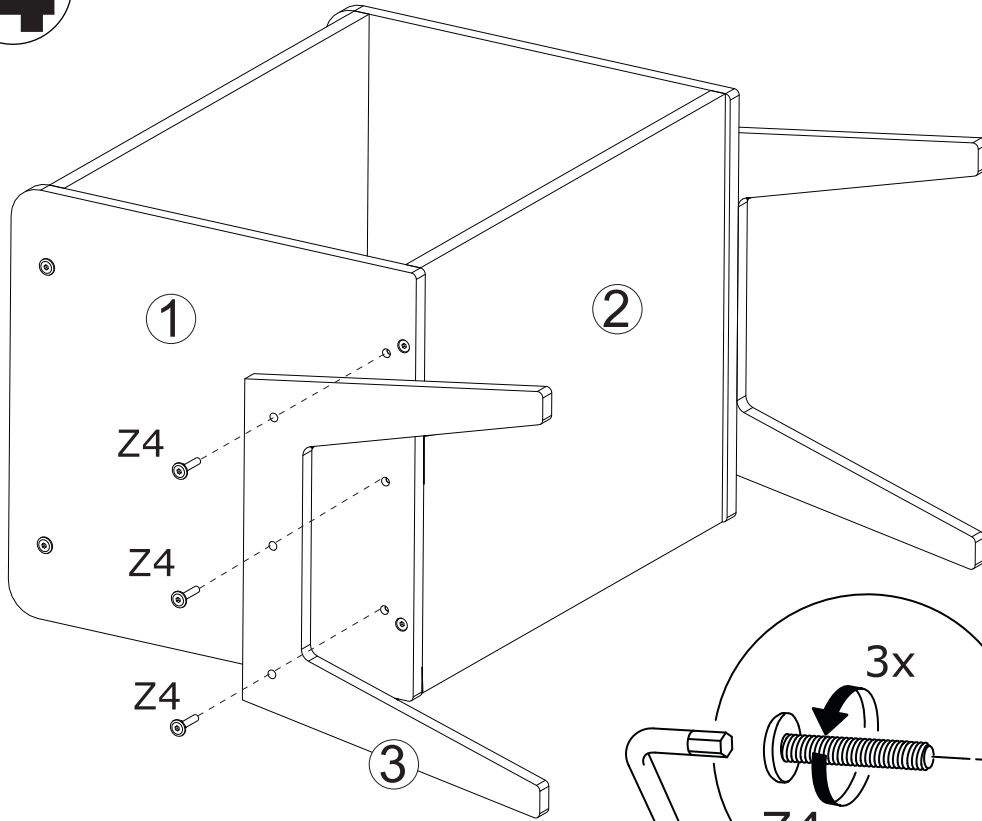
2



3



4



5

