

Assembly and User Manual

SπAND

ENDLESS STAND OPTIONS, INSPIRED BY PI'S INFINITE

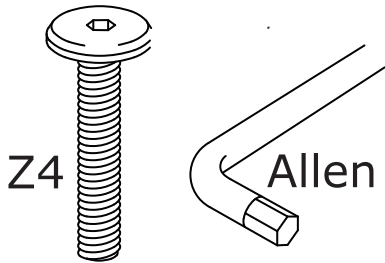


This module can be installed by one person

The necessary tools required for assembly of this module



1



Z4

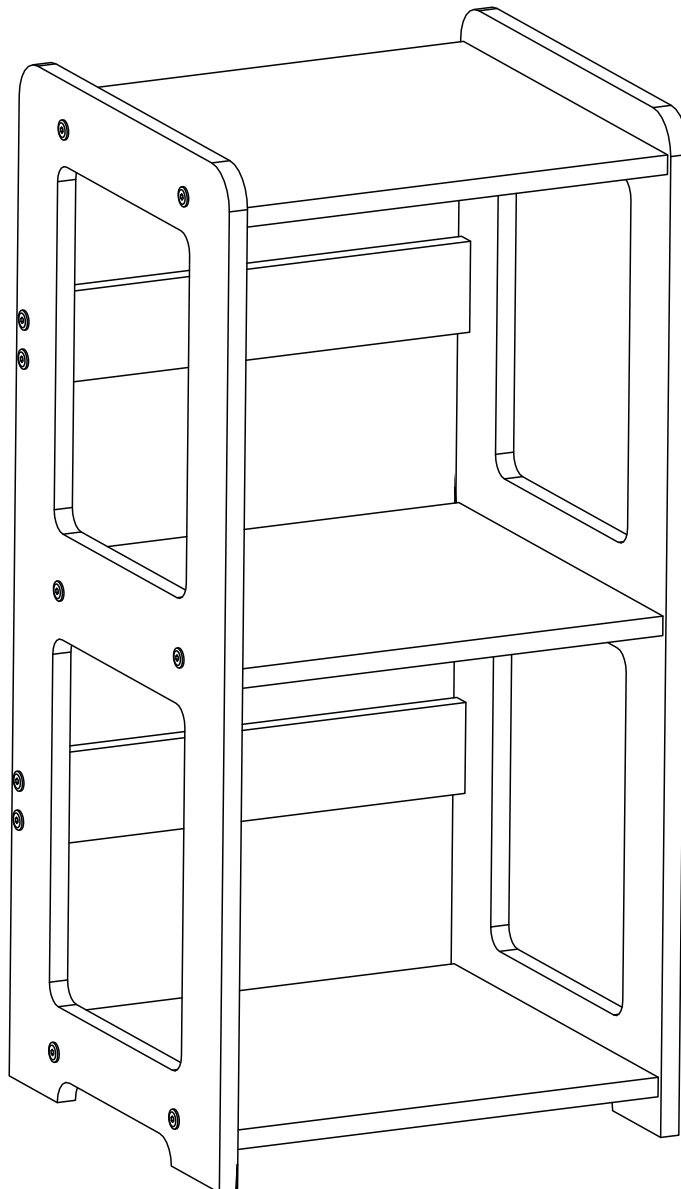
Allen

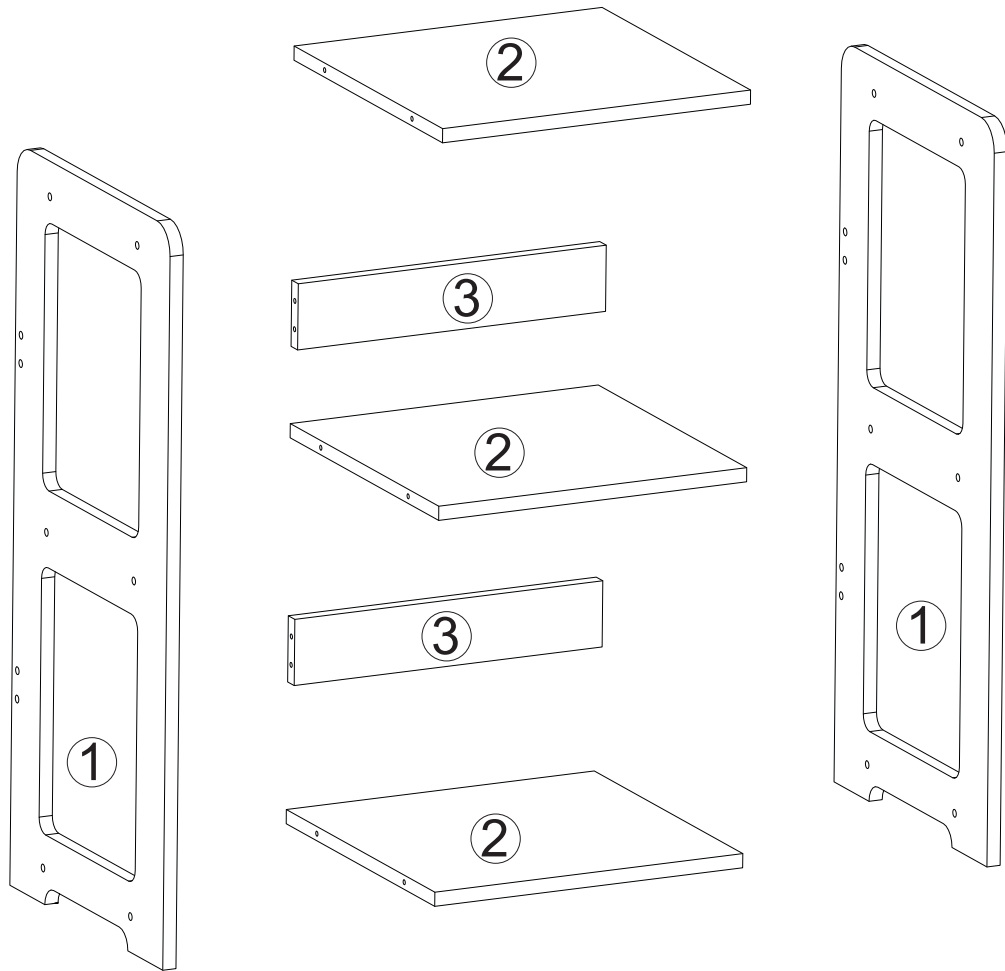
20x

2x

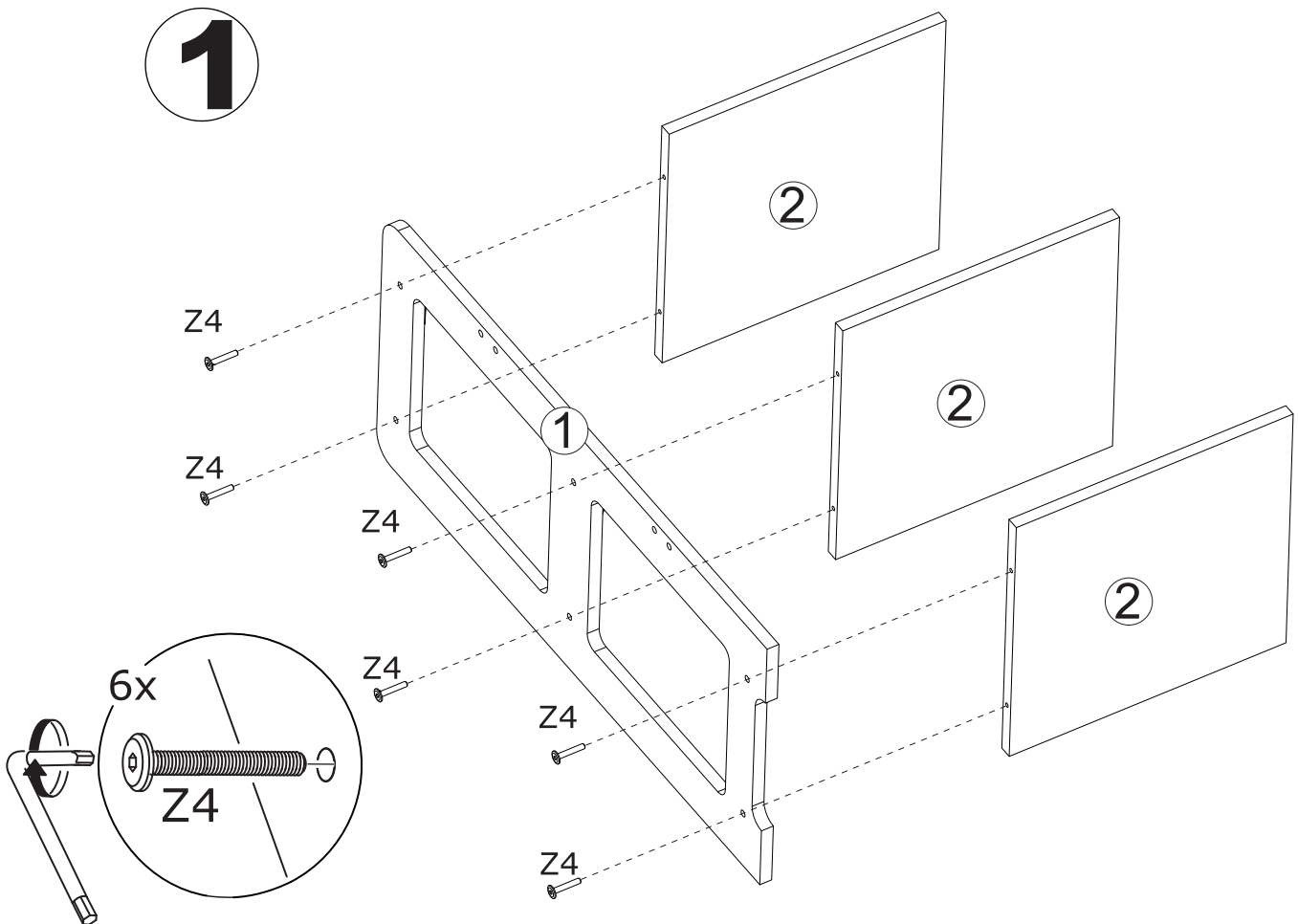
Spare Parts

2x

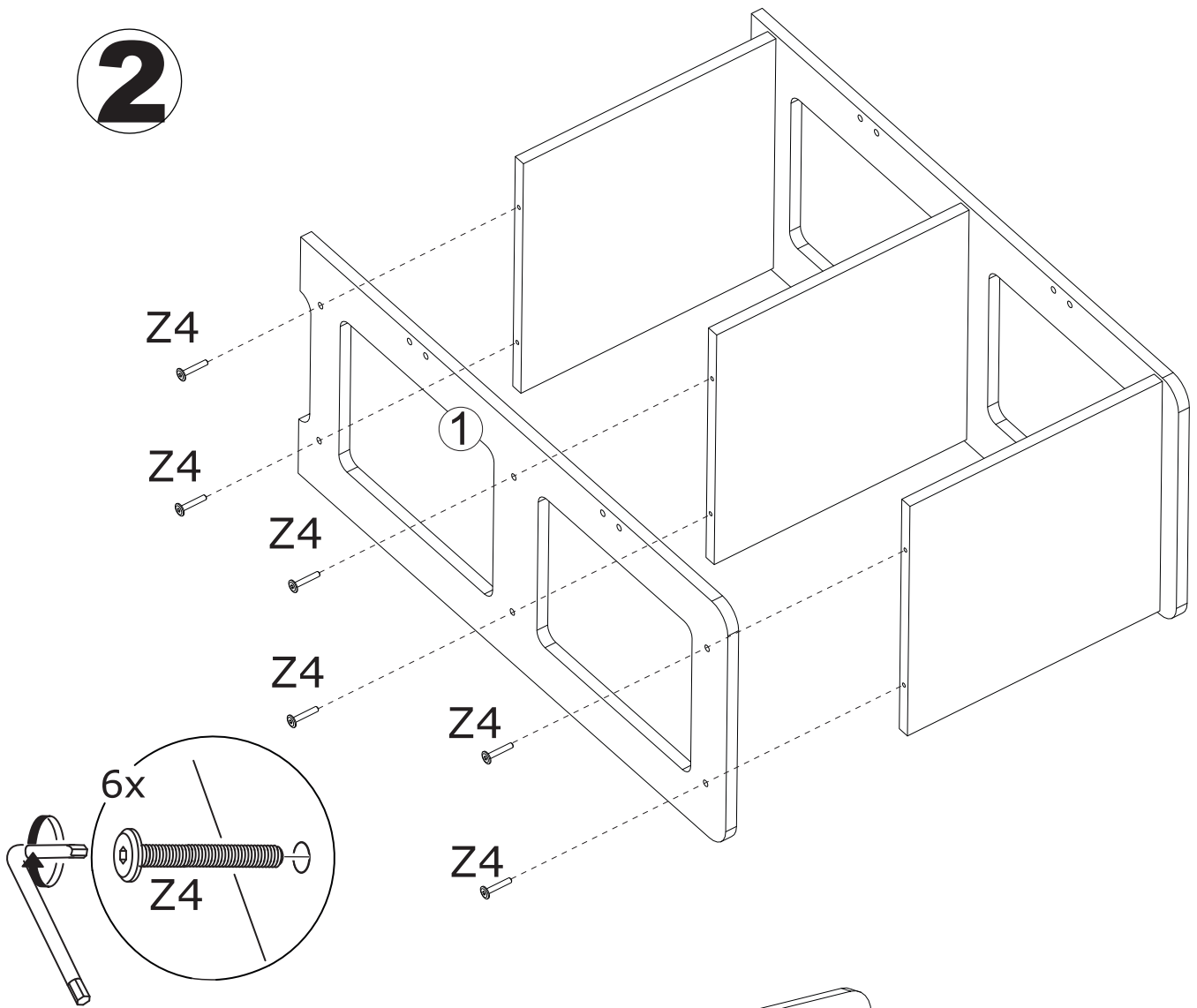




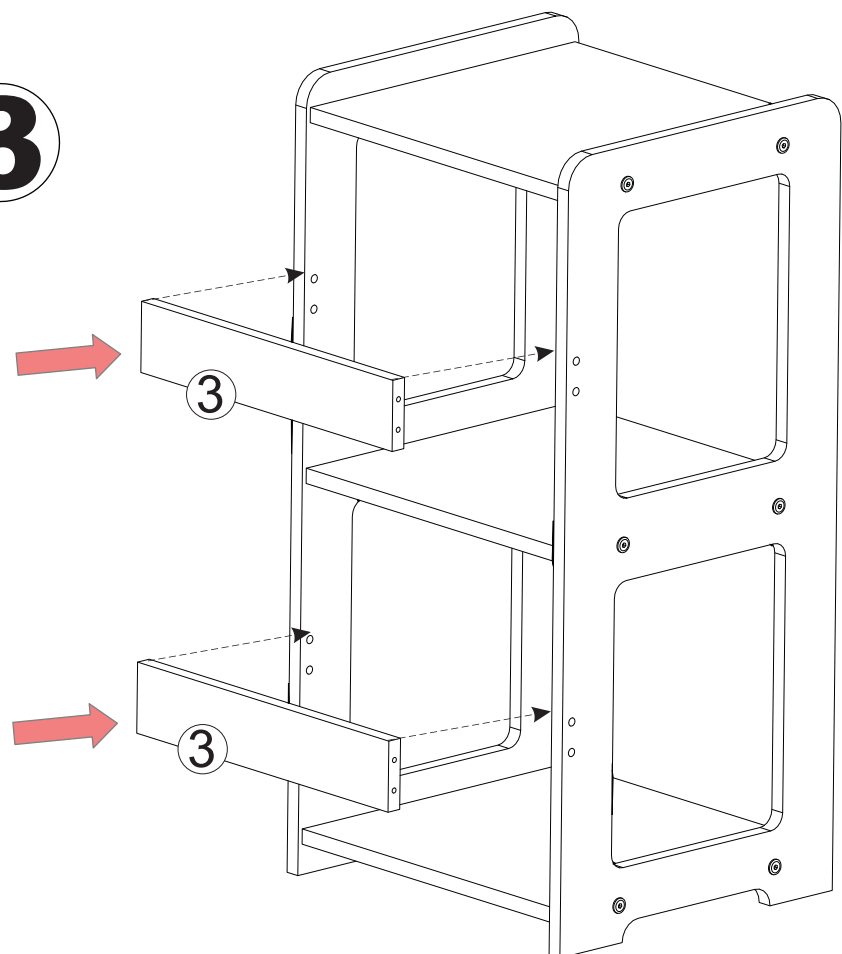
1



2



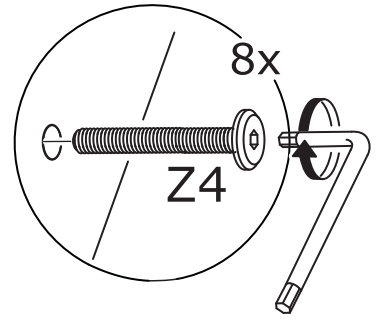
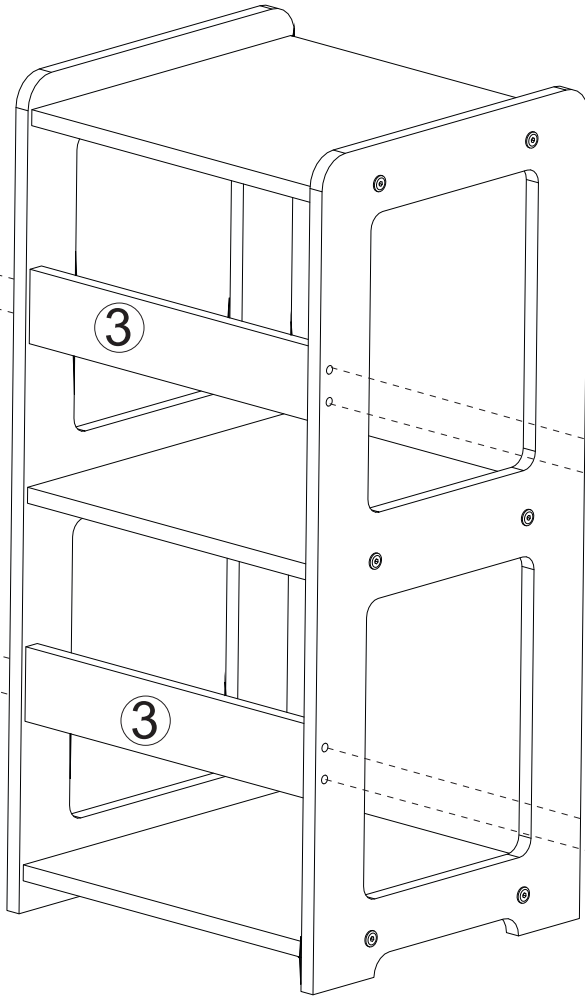
3



4

Z4
Z4

Z4
Z4



Z4
Z4

Z4
Z4

5

