

Assembly and User Manual

S π AND

ENDLESS STAND OPTIONS, INSPIRED BY PI'S INFINITE

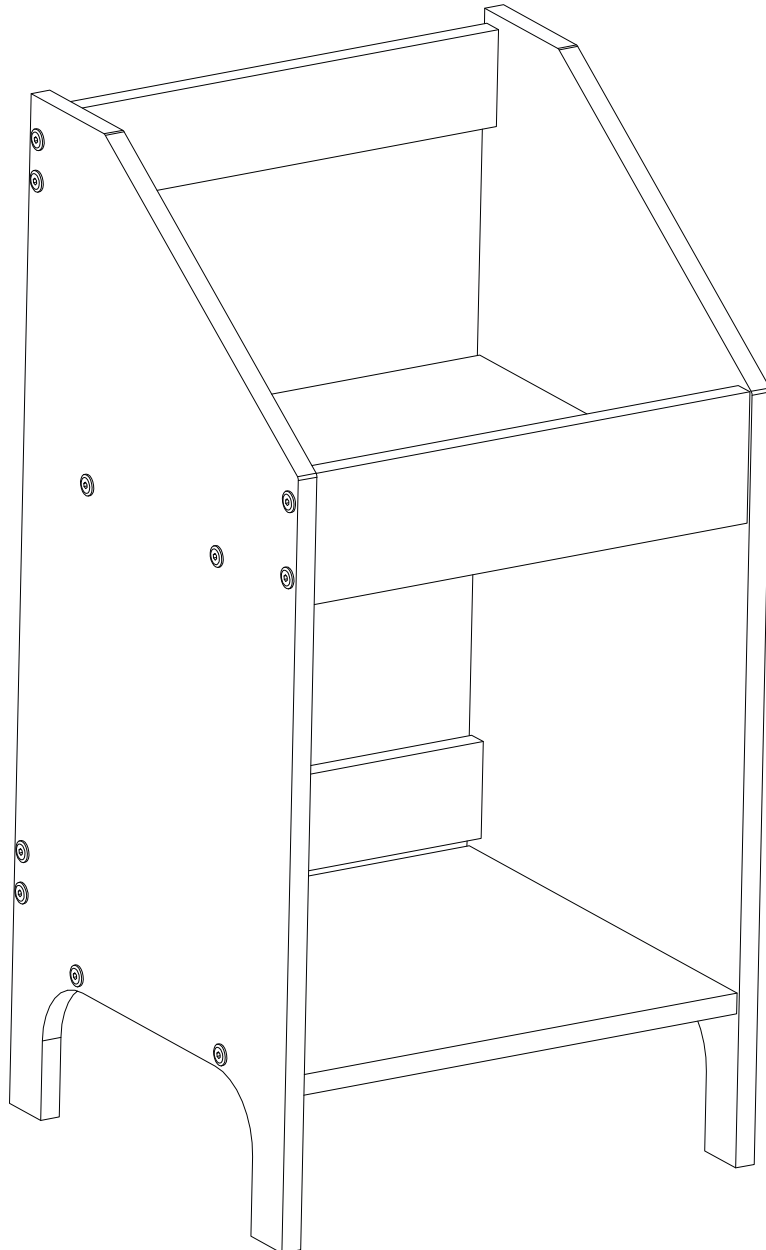
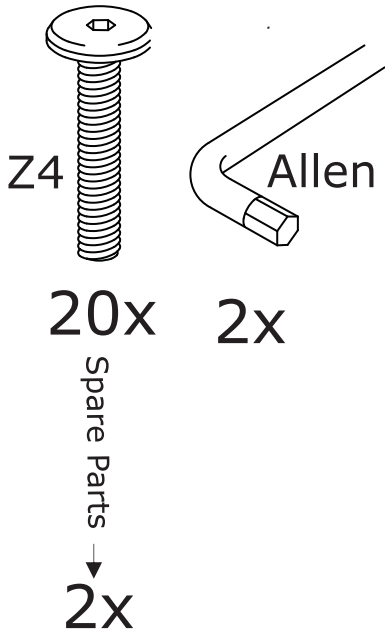


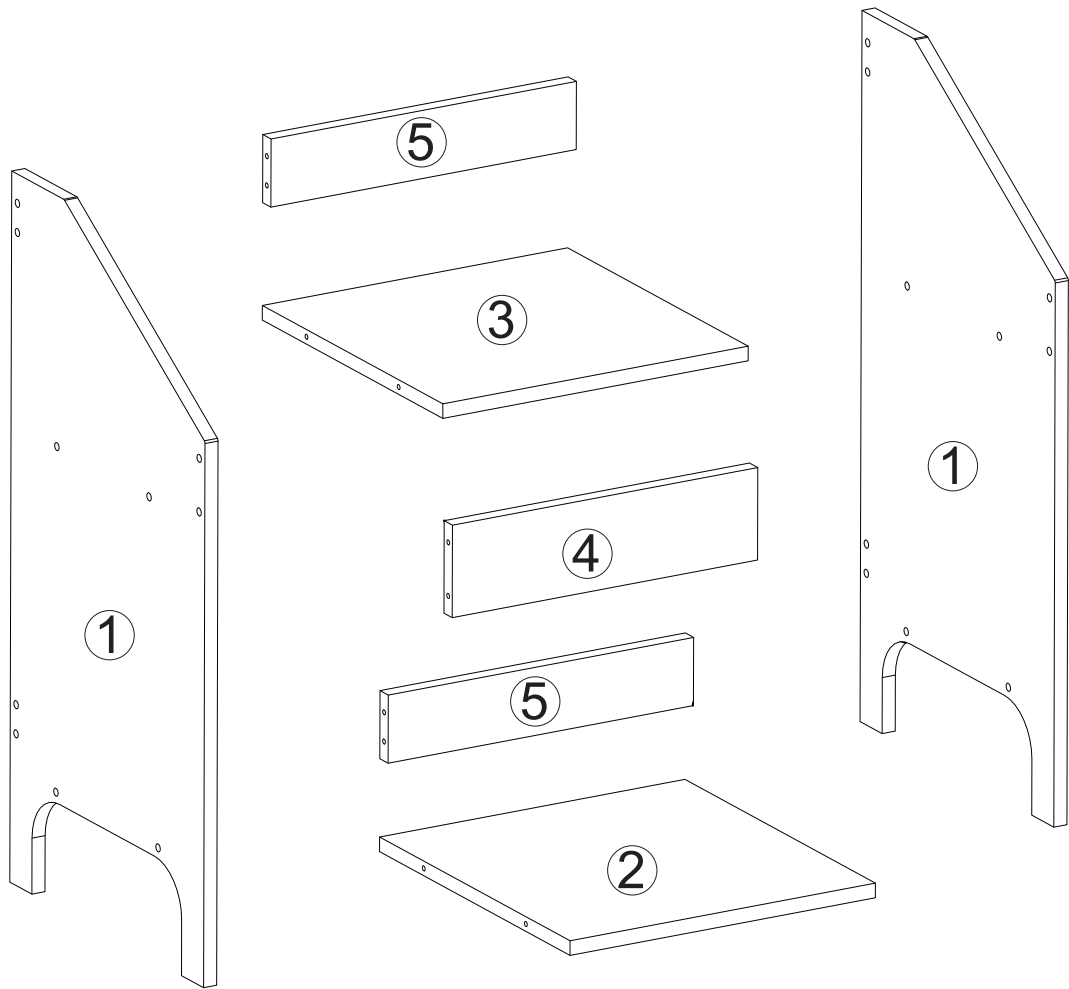
This module can be installed by one person

The necessary tools required for assembly of this module

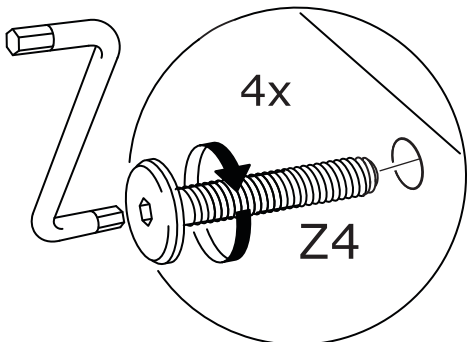
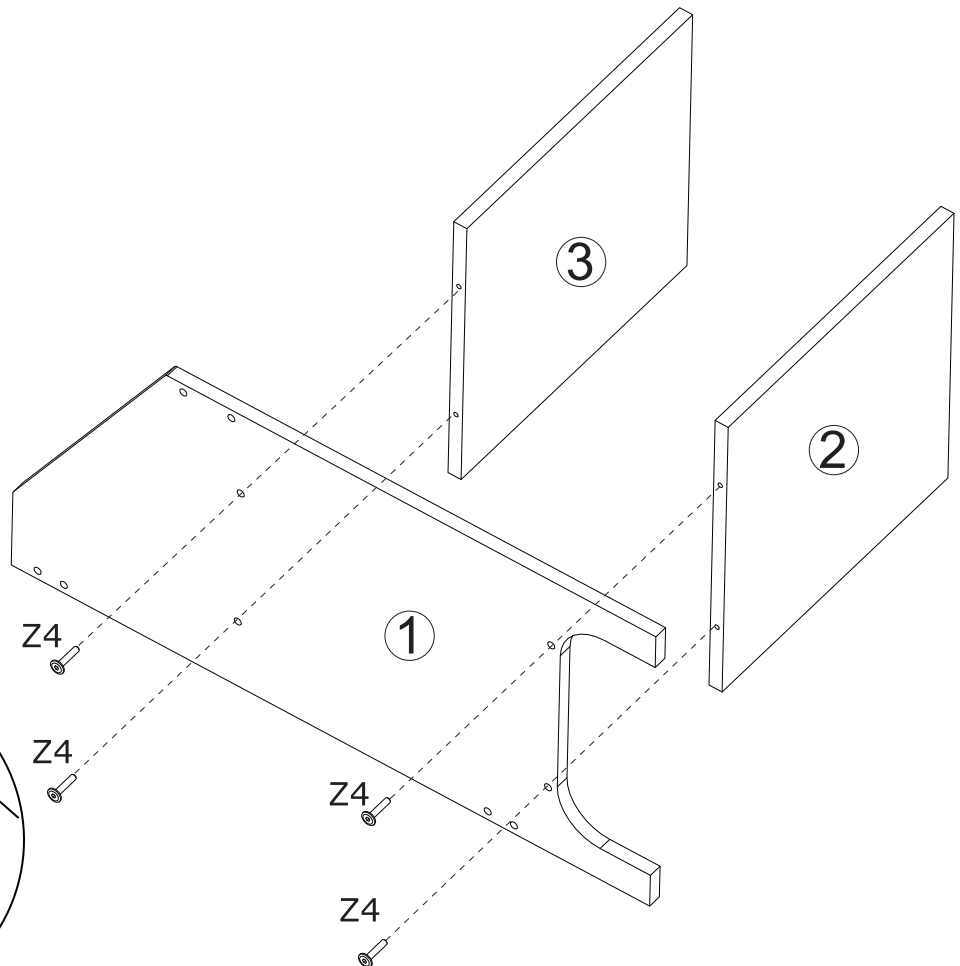


1

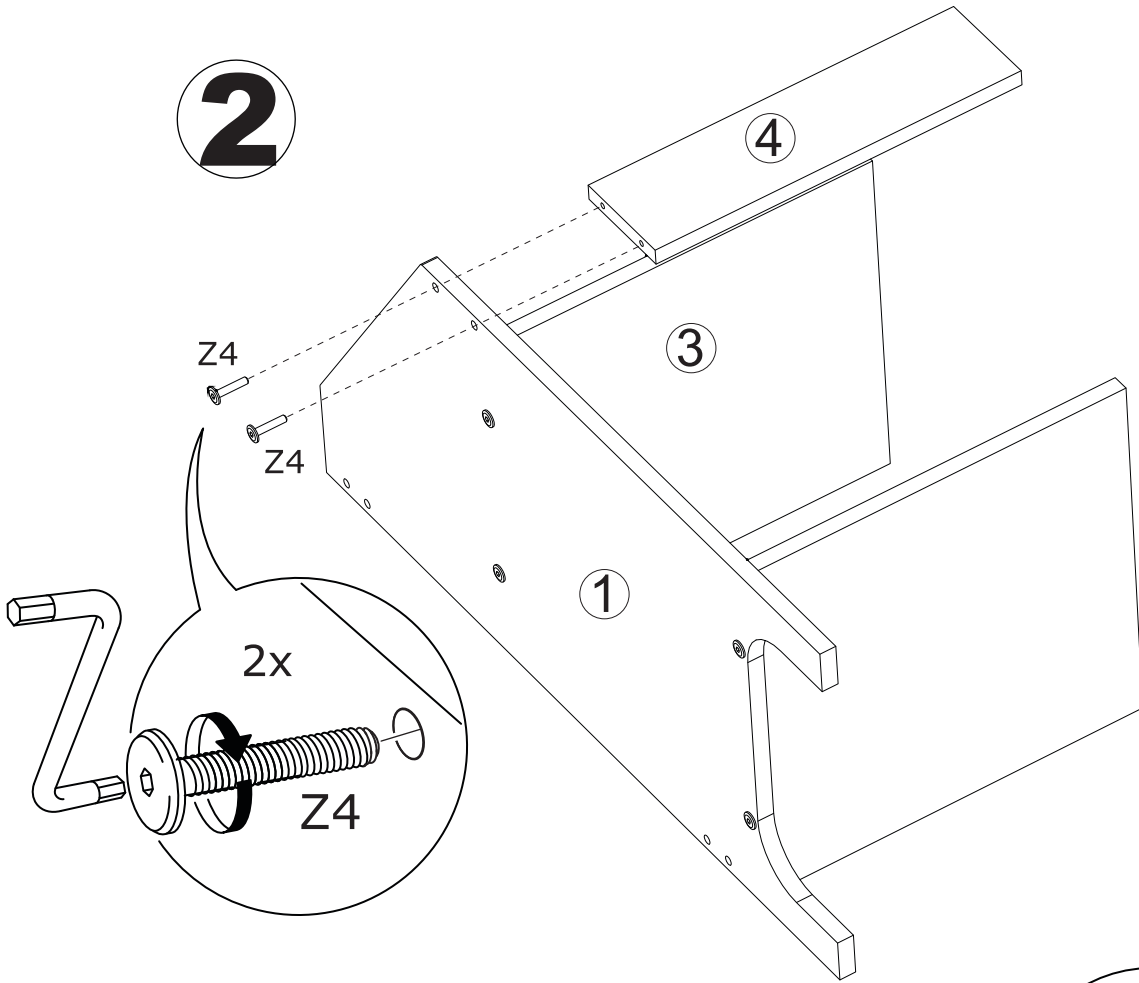




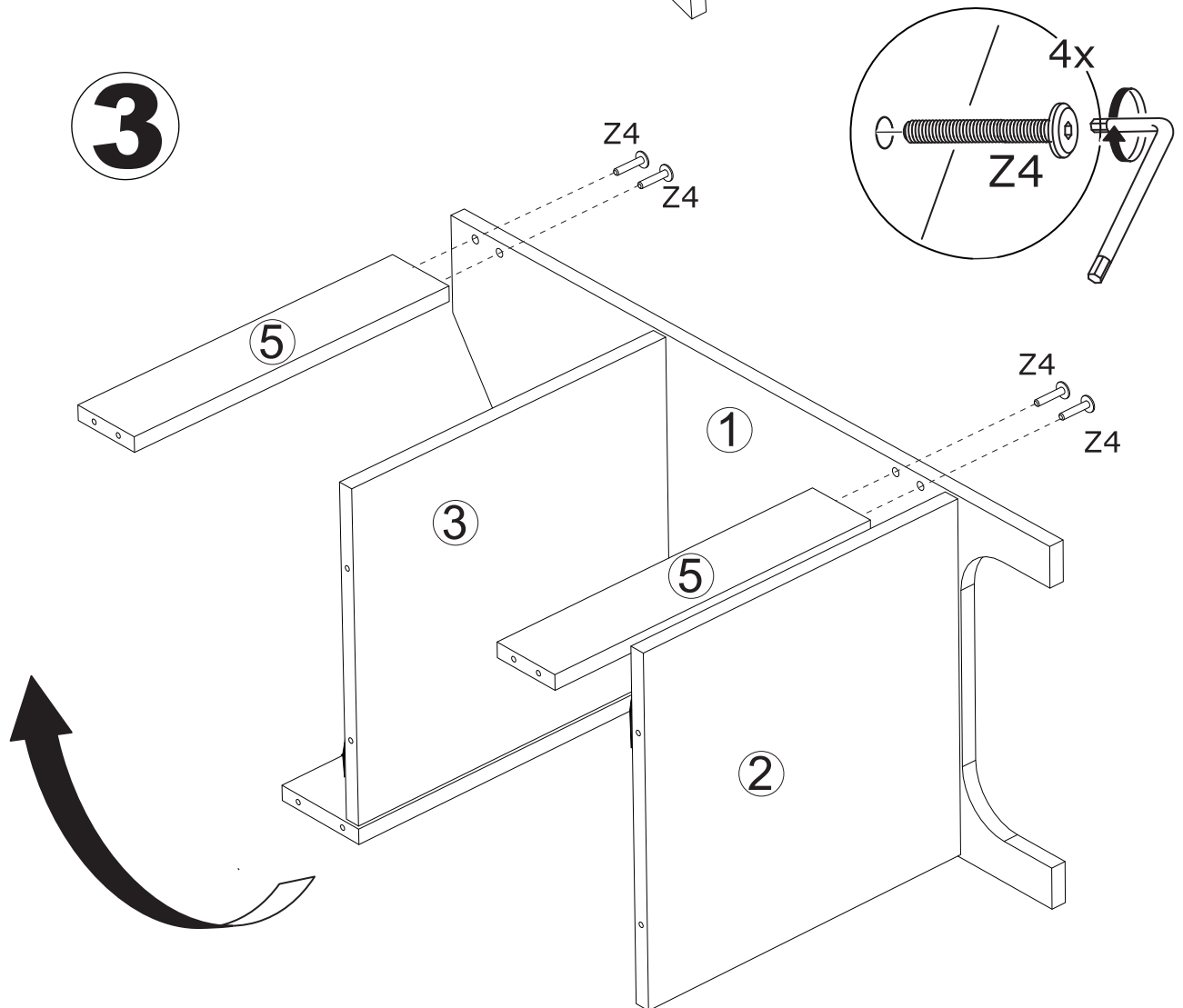
1



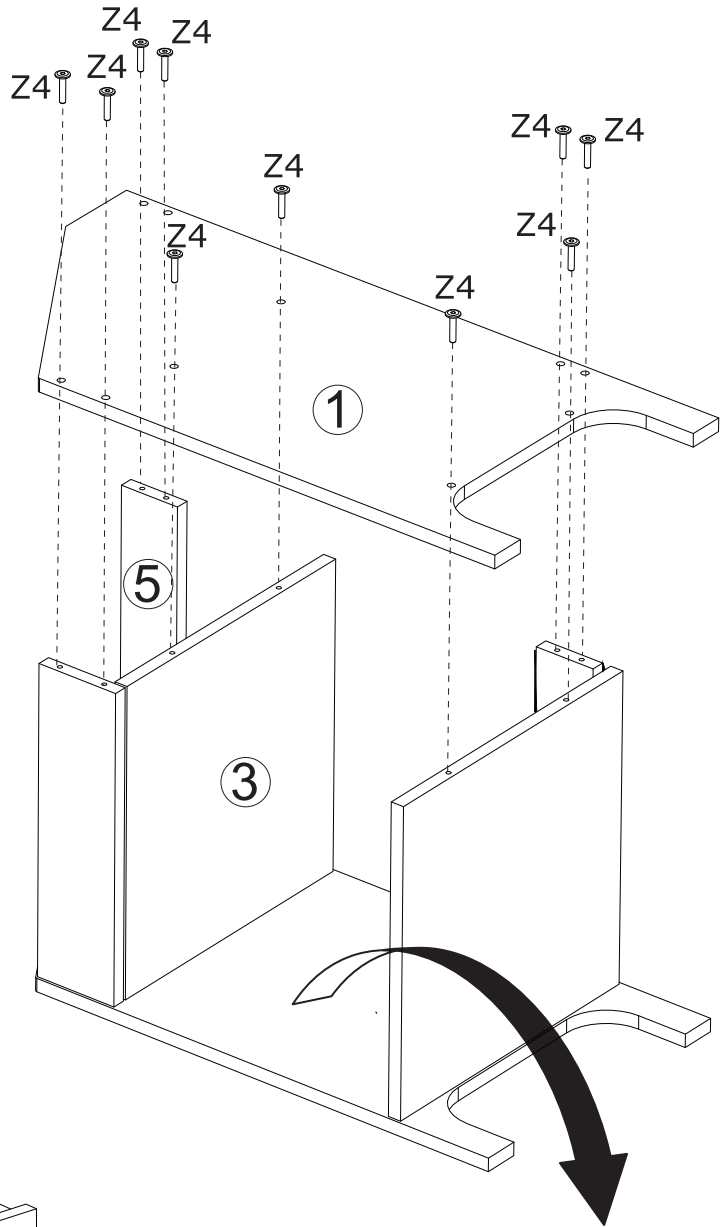
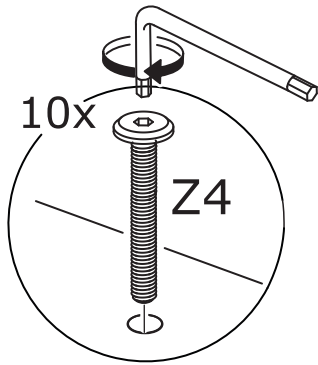
2



3



4



5

